

PRODUCT FCL0001 & FCL0002

ELECTRIC CABINET LOCK



FCL0001 & FCL0002

PRODUCT DESCRIPTION

The FCL0001 & FCL0002 are suitable for surface mount installation on all types of cabinets, or lockers. The cabinet locks are designed to fit into cabinets and lockers with hinged or sliding doors from either the front or side of the door. The lock function is interchangeable between Power To Lock and Power To Release. The devices are supplied in a dual voltage configuration, 12VDC or 24VDC.

The FCL0002 Cabinet Lock version comes with Lock Status Sensor (LSS), monitoring the locking pin and Door Status Sensor (DSS), monitoring if the door is open or close.

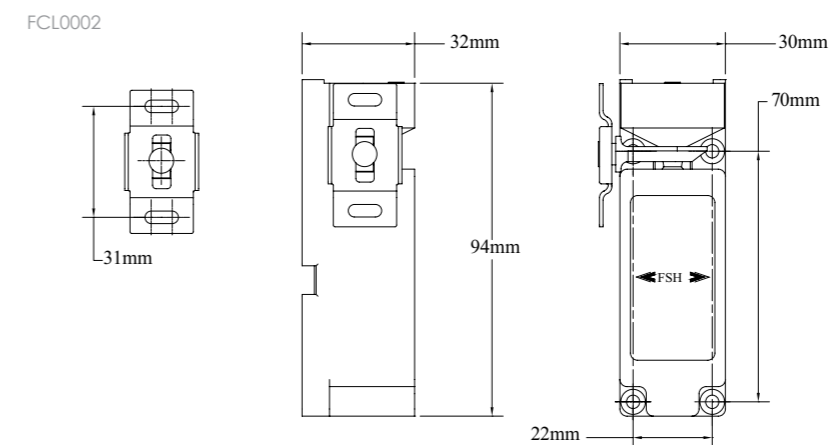
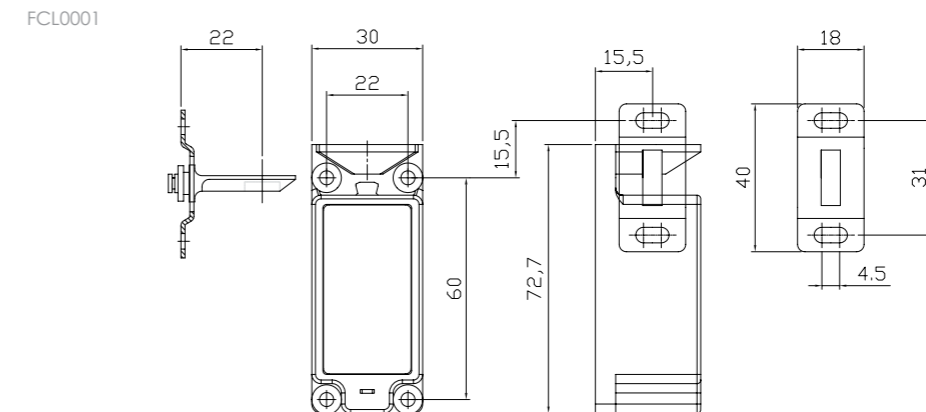
TECHNICAL DETAILS

PART NO.	FCL0001	FCL0002
FUNCTION	Surface mount cabinet/Locker electric lock	Surface mount cabinet/Locker electric lock
HOLDING STRENGTH	Up to 150kg	Up to 150kg
VOLTAGE/CURRENT	12VDC/190mA 24VDC/90mA	12VDC/200mA 24VDC/100mA
MONITORING	N/A	DSS, Door Status
SIZE	L= 72.7 x W= 28.8 x D= 28.5mm	L= 93 x W= 30x D= 32mm

PRODUCT FEATURES

- Small size
- Power To Lock/Power To Release changeover
- Full monitoring DSS/LSS (FCL0002)
- 12 or 24VDC
- Up to 150kg holding force
- 5 year warranty

PRODUCT DIMENSIONS AND INSTALLATION



ORDER DETAILS

PART NO.	PRODUCT DESCRIPTION
FCL0001	Cabinet Lock
FCL0002	Cabinet Lock monitored
FCL0001-AP	Armature Plate for FCL0001 and FCL0002