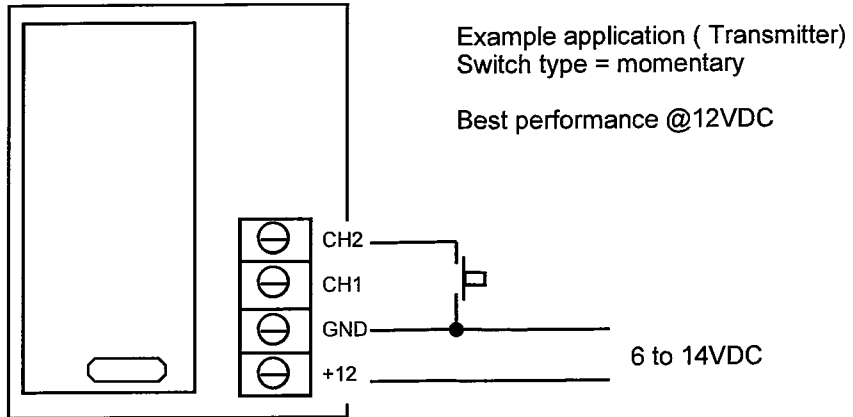


PTP-TX/RX

2 Channel General Purpose Wireless Link



Specifications

Operating Voltage

Transmitter 6 to 14VDC
Receiver 12 to 15VDC

Current Consumption @12V

Transmitter standby 1.8mA
Transmitting 43mA
Receiver standby 6.2mA
One relay activated 25mA

Enclosure dimensions

90mm(L) x 70mm(W) x 34mm (D)

RF Receiver

Super regenerative 1Mhz

Relay rating

1 Amp MAX @ 24VDC

Plug Pack transformer

12VDC 0.5A switchmode

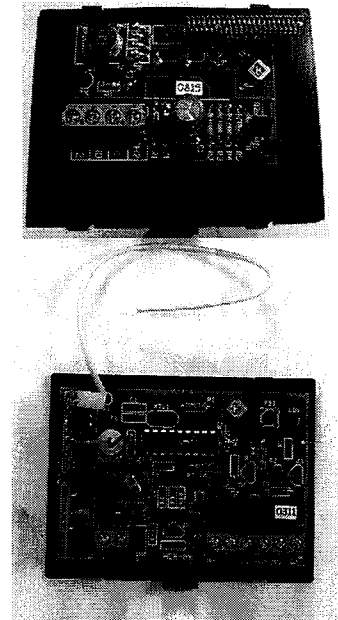
RF signal

Keeloq™ code hopping 433.92Mhz
4.2 billion combinations

Warranty

Circuit Level Electronics (Aust) Pty Ltd warrants this product to be free from defects in materials and workmanship for a period of **2 Years** from date of purchase. We will in the event of failure repair or replace the product at our sole discretion. This warranty does not apply in the event of accidental damage, abuse, misuse, non approved purpose or act of God. This warranty is given in addition to any rights allowed by New South Wales law.

Made in Australia by
Circuit Level Electronics (Aust) Pty Ltd
ABN 51 074 517 570



- Designed to suit outputs from alarm panels
- High performance transmitter
- Mini 12VDC plugpack for receiver or transmitter
- 2 x SPDT relay outputs @ 1Amp
- 12 month warranty



Circuit Level Electronics reserves the right to change specifications without notice in the interest of product development.



© 2015 Circuit Level Electronics (Aust) Pty Ltd



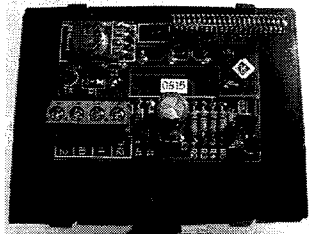
Overview

This product is a general purpose wireless link. The transmitter channels are simply triggered by the connection of the input terminal to GND. This can be via a momentary switch, relay or as designed, the programmable outputs from an alarm panel. The transmitter would generally be powered from the device that is being used to trigger it, however any regulated 6 to 12VDC power source will work. The kit is supplied with a small switch mode 12VDC 0.5Amp plug pack which can be used to power either the transmitter or receiver.

Bosch DSRF™

The PTP TX/RX kit is particularly useful for operating remote gates or doors from the alarm panel outputs of a Solution™ system using DSRF™ equipment. The two RF systems operate on different frequencies thus there is no interference between the two. In the case where no wiring has been installed or allowed for, to remote devices this system is an ideal option.

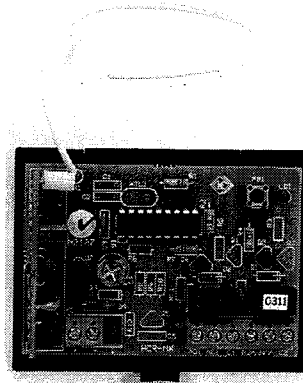
PCB Layout & Installation



Transmitter

The transmitter unit should be installed close to the device triggering it. DO NOT install in a metal cabinet.

For best performance operate from a 12 to 14VDC regulated power source. The RED LED indicates transmission.



Receiver

The receiver has two (2) SPDT relay outputs to control devices. DO NOT switch mains voltages (240VAC) with these relays. Install the receiver clear of metal structures as per the transmitter. Moving the antenna position may change the RF performance. The supplied plug pack is intended for powering the receiver, however it can be used on either device.

Set Up



The PTP-TX/RX kit is supplied with the transmitter learnt to the receiver. Both of the relay outputs are set as momentary. This can be changed so that one (1) output will latch.

1. Delete the transmitter by pressing and holding down the receiver LEARN button. The RED LED will light and then extinguish after 4 seconds.
2. Learn the transmitter by pressing the LEARN button once, the RED LED will flash rapidly. Now transmit a signal from the transmitter to be learnt.
3. Learning with CH1 will set both relays on the receiver as momentary. Learning with CH2 will set Relay 1 as latching, Relay 2 as momentary.
4. Press the LEARN button once to leave learn mode. If you fail to do this the receiver will automatically exit after 20 seconds of no activity.

Plug pack

The 12VDC 0.5A plug pack transformers STRIPED wire is the "+"connection.

Bosch™ DSRF™ connection & programming

1. Mount the transmitter box external to the Solution 16Plus™ or other DSRF compatible control panel.
2. Connect the +12 and GND terminals to the same in the panel. Connect the required programmable output/s to the appropriate input channel/s of the transmitter.
3. Program the output/s of the panel as **Normally open one shot lo.**
4. Program the time parameter for **2 seconds.**
5. With the DSRF receiver set up to operate the outputs on the panel press the  or  on the DSRF fob. The PTP transmitter LED should flicker for two seconds indicating RF transmission.
6. Install the receiver, connect to power and device to be controlled.

SPECIAL NOTES

1. This product is NOT COMPATIBLE with the Bosch RE005EV2, WE800EV2, HCR-15 or HCR-100 products.
2. This product operates on 433.92Mhz and thus cannot be used in conjunction with other 433.92Mhz RF equipment where there may be transmissions at the same time.